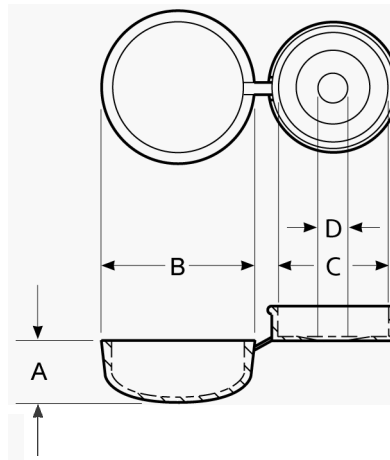
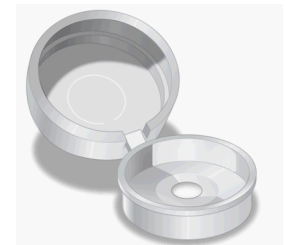


PRO-DEC PRODUCTS, INC.



DIMENSIONS:

A .220
B .560
C .400
D .155



DIMENSIONS ARE IN INCHES

TOLERANCE: $\pm .015$

ITEM#: **HNG-1- -**

DESCRIPTION: **HINGE SNAP-CAP**

MATERIAL:

POLYPROPYLENE

NOTICE OF PROPRIETARY INFORMATION

This drawing is the property of Pro-Dec Products, Inc. Reproduction is strictly prohibited without the express written consent of Pro-Dec Products, Inc. This content is provided for informational use only and Pro-Dec Products, Inc. does not assume responsibility for inaccuracies or errors.

*Refer to website
www.pro-dec.com
for available colors*

DRAWING IS NOT TO SCALE