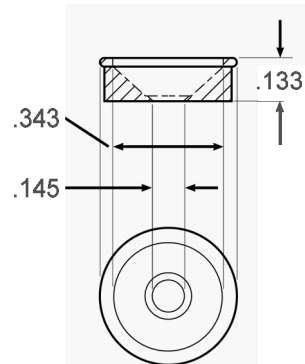


# PRO-DEC PRODUCTS, INC.



DIMENSIONS ARE IN INCHES

TOLERANCE:  $\pm .015$

ITEM #: **8/8-CSK**

DESCRIPTION: **8/8 Countersunk Washer**

**MATERIAL:**  
**POLYPROPYLENE**

*Refer to website  
[www.pro-dec.com](http://www.pro-dec.com)  
to place orders*

### **NOTICE OF PROPRIETARY INFORMATION**

This drawing is the property of Pro-Dec Products, Inc. Reproduction is strictly prohibited without the express written consent of Pro-Dec Products, Inc. This content is provided for informational use only and Pro-Dec Products, Inc. does not assume responsibility for inaccuracies or errors.

**DRAWING IS NOT TO SCALE**