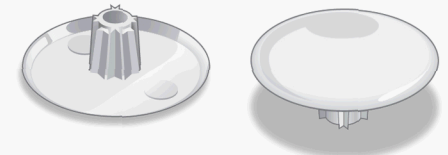
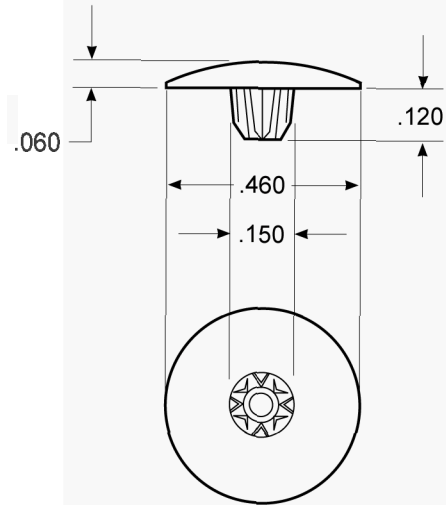


PRO-DEC PRODUCTS, INC.



DIMENSIONS ARE IN INCHES

TOLERANCE: $\pm .015$

ITEM #: **TC2- _ _ _ _**

DESCRIPTION: **TAP-CAP**

MATERIAL:

**POLYPROPYLENE
(and/or) POLYSTYRENE**

**Refer to website
www.pro-dec.com
for available colors
and to place orders**

NOTICE OF PROPRIETARY INFORMATION

This drawing is the property of Pro-Dec Products, Inc. Reproduction is strictly prohibited without the express written consent of Pro-Dec Products, Inc. This content is provided for informational use only and Pro-Dec Products, Inc. does not assume responsibility for inaccuracies or errors.

DRAWING IS NOT TO SCALE